

25 and 36 Gallon Pre-Piped Bladder Tanks

Features

- UL Listed and FM Approved for use with various CHEMGUARD proportioners and foam concentrates
- Large, removable cap for easy filling
- Choice of Standard or Corrosion-Resistant Epoxy exterior paint, available in a variety of colors
- Standard high-build epoxy internal coating suitable for use with fresh or seawater

Application

The CHEMGUARD 25 and 36 Gallon Pre-Piped Bladder Tanks are one component of a balanced pressure proportioning system. When coupled with a CHEMGUARD proportioner, either field piped or factory pre-piped, this tank provides a compact foam concentrate proportioning solution for small fixed systems utilizing any suitable discharge devices. These small systems could include backup generator fuel storage in high rise buildings and hospitals or other small flammable liquid storage areas.

CHEMGUARD 25 and 36 Gallon Pre-Piped Bladder Tanks require only a pressurized water supply for operation. No other external power is required.

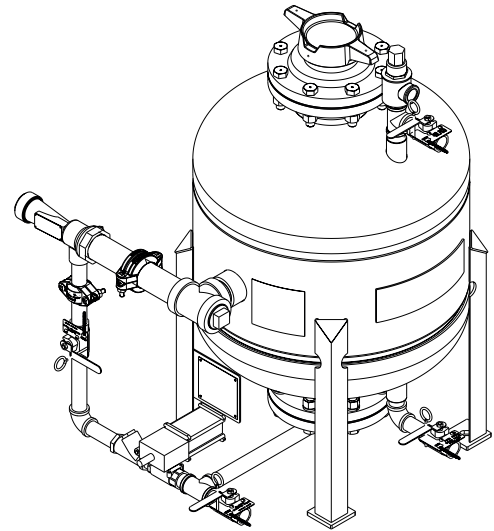
Description

The CHEMGUARD 25 and 36 Gallon Pre-Piped Bladder Tanks are a steel pressure vessel which stores foam concentrate contained within an elastomeric bladder. The concentrate is discharged from the tank by incoming water applying pressure to the bladder. This applied energy is transferred to the foam concentrate, supplying pressurized foam concentrate to the proportioner.

Trim Piping and Connections

The CHEMGUARD 25 and 36 Gallon Pre-Piped Bladder Tanks are vertically oriented and intended for bottom discharge of foam concentrate. Trim piping is brass with bronze manual ball valves. Pre-piped tanks include the following valves: tank shell drain, tank shell vent, bladder drain/fill, manual foam concentrate shutoff, and a hydraulic concentrate control valve.

Pre-piped tanks include a 2 in. (50 mm) threaded CHEMGUARD proportioner appropriate for the selected foam concentrate. The tank water inlet connection on all configurations is 2 in. (50 mm) and is supplied as standard with fittings for use with either grooved or NPT threaded water piping.



010127

Protective Coatings

All CHEMGUARD 25 and 36 Gallon Pre-Piped Bladder Tank configurations feature a high-build epoxy internal coating. Exterior paint is available in two grades: Standard and Corrosion-Resistant Epoxy (Epoxy CR). Color options are available for standard and pre-piped configurations. Paint systems used on CHEMGUARD 25 and 36 Gallon Pre-Piped Bladder Tank configurations have been subjected to and passed salt spray corrosion testing per ASTM B117-90. Standard paint has been tested to a minimum of 240 hours in accordance with UL 162, UL Subject 139, and FM 5130. Epoxy CR paint has been tested to a minimum of 3,000 hours and is suitable for marine and offshore use.

Support and Mounting

Pre-Piped configurations are supported on four legs with foot plates and slotted holes for mounting. Refer to dimensional drawings for mounting hole spacing.

Model	Nominal Capacity	Mounting Slot Size
Pre-Piped	25 gal and 36 gal	3/4 in. x 1 1/4 in. (19 mm x 32 mm)

Internal Components

All CHEMGUARD 25 and 36 Gallon Pre-Piped Bladder Tank configurations contain an elastomeric bladder that has been approved for use by Underwriter's Laboratory and/or FM Approvals for use with CHEMGUARD foam concentrates. All configurations utilize a center tube to facilitate agent discharge. The center tube is constructed of materials compatible with CHEMGUARD foam concentrates.

Description (Continued)

Thermal Relief Valve

A thermal relief valve is available as an option for CHEMGUARD 25 and 36 Gallon Pre-Piped Bladder Tanks. A thermal relief valve should be used when the bladder tank will be stored in an isolated/hydraulically locked condition in order to relieve pressure due to thermal expansion. This valve is factory set to 175 psi (12.1 bar) and it is recommended that the design pressure of the system be maintained at least 5 psi (0.3 bar) or 10% below the set pressure of the valve to avoid seat leakage and early valve maintenance. This valve is NOT a substitute for a properly sized ASME pressure relief valve to protect the entire system from overpressure.

ASME Information

All CHEMGUARD 25 and 36 Gallon Pre-Piped Bladder Tank configurations are designed and constructed in accordance with the latest revisions to ASME Code Section VIII, Division 1 for unfired pressure vessels with a maximum allowable working pressure (MAWP) of 175 psi (12.1 bar) and tested to the pressure specified by the applicable codes and standards. Per ASME code, tanks with a 175 psi (12.1 bar) MAWP are tested to at least 230 psi (15.9 bar). All CHEMGUARD 25 and 36 Gallon Pre-Piped Bladder Tanks are constructed of steel, complying with ASME specifications. Tank heads are 2:1 elliptical unless otherwise specified.

All CHEMGUARD 25 and 36 Gallon Pre-Piped Bladder Tank configurations include a permanently affixed stainless steel ASME data plate. At a minimum, the data plate includes the following information: year of manufacture, maximum allowable working pressure (MAWP), nominal volume, part number, National Board number, minimum material thickness, minimum design metal temperature (MDMT), and type of head used.

Approvals and Certifications

All CHEMGUARD 25 and 36 Gallon Pre-Piped Bladder Tank configurations are UL Listed and FM Approved for use with various CHEMGUARD foam concentrates. FM Approval only valid when used in conjunction with the optional Hydraulic Concentrate Control Valve Supervision Retrofit Kit. The UL mark and FM Approval diamond are applied at the factory along with a label identifying the CHEMGUARD foam concentrate for use in the tank.

Every tank bears a permanently affixed ASME data plate showing the National Board number which identifies the tank as compliant with ASME code Section VIII, Division 1 for unfired pressure vessels.

CHEMGUARD 25 and 36 Gallon Pre-Piped Bladder Tank configurations are not CE marked. Under European Pressure Equipment Directive 2014/68/EU, tanks smaller than 200 gallons are acceptable based on sound engineering practices of ASME code and cannot be CE marked.

Operation and Maintenance

Refer to the CHEMGUARD 25 and 36 Gallon Bladder Tanks / Hose Reel Station Operation and Maintenance Manual for detailed procedures on installation, operation, inspection, and maintenance. A printed copy of this manual is included with every tank.

Piping Connection Table

Connection Point	Tank Configuration
	Pre-Piped
Proportioner – Upstream	2 in. (50 mm) Female NPT
Proportioner – Downstream	2 in. (50 mm) Male NPT

Valve Position Information

Valve* No.	Valve Description*	Normal Valve Position	
		Manual System	Automatic System
1.	Manual Foam Concentrate Shutoff	N.C.	N.O.
2.	Water Supply Shut-Off (Not Shown)	N.C.	N.O.
3.	Tank Shell Vent Valve	N.C.	N.C.
4.	Tank Shell Drain Valve	N.C.	N.C.
5.	Bladder Drain Valve	N.C.	N.C.
6.	Automatic Foam Concentrate Isolation Valve	–	N.C.

N.C. – Normally Closed N.O. – Normally Open

In this arrangement, valves listed as “Not Shown” are either supplied as loose items or supplied by others.

*Not all valves supplied with all configurations

Dimensional Information (Reference Dimensional Drawings)

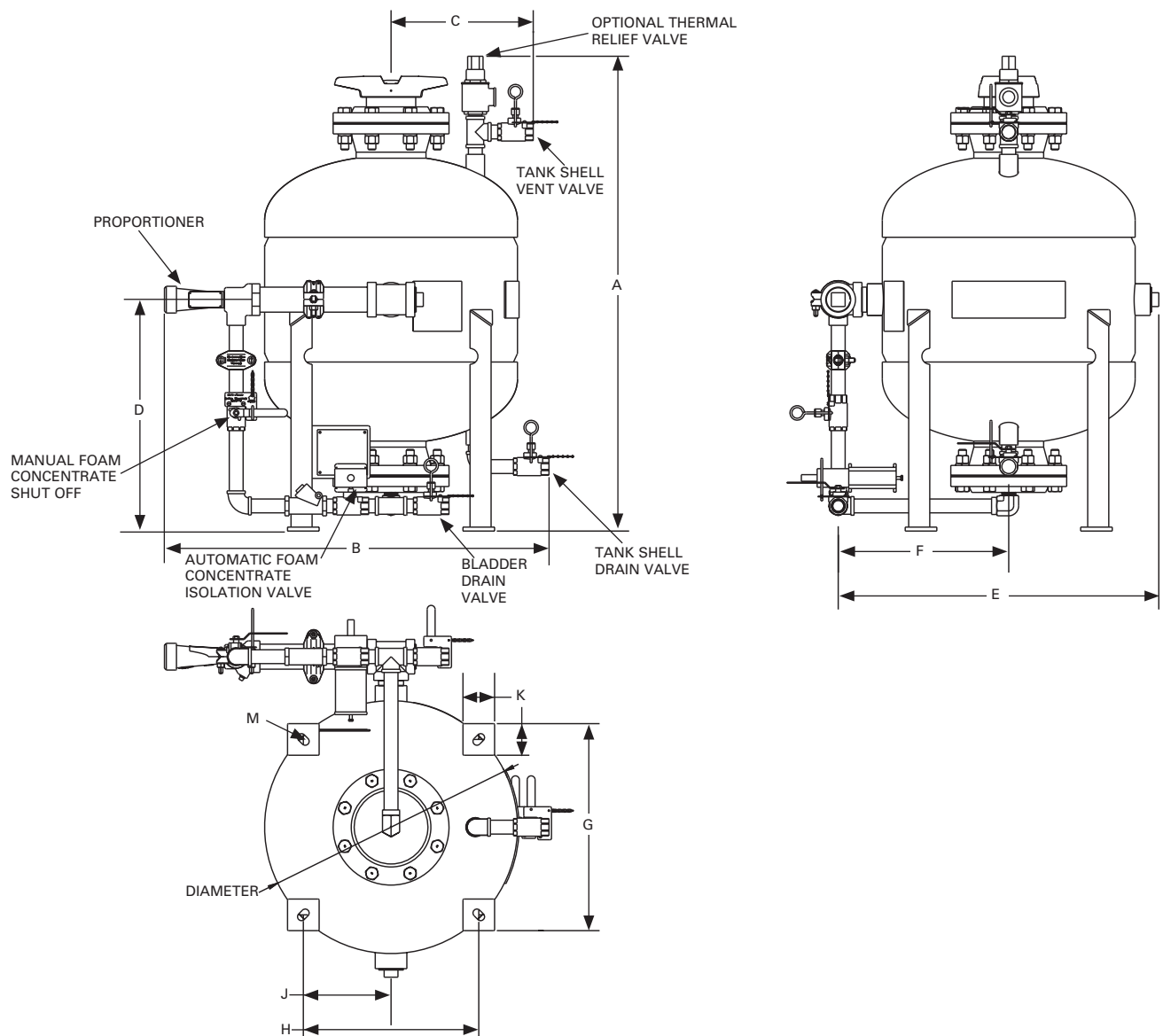
Part No.	Tank Size		Proportioner size		Diameter		A		B		C		D		E	
	gal	(L)	in.	(mm)	in.	(mm)	in.	(mm)	in.	(mm)	in.	(mm)	in.	(mm)	in.	(mm)
701019	25	(95)	2	(50)	24	(610)	40 3/8	(1,026)	33 15/16	(862)	13 1/2	(343)	19 7/16	(494)	30 3/4	(781)
701020	36	(136)	2	(50)	24	(610)	45 1/16	(1,145)	36 1/2	(927)	13 1/2	(343)	22	(559)	30 3/4	(781)

F		G		H		J		K		M		Weight	
in.	(mm)	in.	(mm)	in.	(mm)	in.	(mm)	in.	(mm)	in.	(mm)	lb	(kg)
16 3/16	(411)	19 5/8	(498)	16 5/8	(422)	8 5/16	(211)	3 x 3	(76 x 76)	3/4 x 1 1/4	(19 x 32)	445	(202)
16 3/16	(411)	19 5/8	(498)	16 5/8	(422)	8 5/16	(211)	3 x 3	(76 x 76)	3/4 x 1 1/4	(19 x 32)	459	(208)

Dimension and Installation Notes:

- Dimensions listed are approximate and subject to change without notice.
- Rooms or buildings intended to house a bladder tank should have accommodations for the removal of the internal center tube. Center tubes are approximately the full height of the bladder tank.

25 and 36 Gallon Pre-Piped Bladder Tanks



Ordering Information

Please specify the following when ordering:

- Part Number for required 25 gal or 36 gal configuration
- Foam concentrate type to be used ^{1,2}
- One option from each of the following categories ³:

Exterior Paint	Option 1: Standard Option 2: CR Epoxy
Exterior Paint Color ⁴	Option 1: Red (RAL 3001) Option 2: Blue (RAL 5019) Option 3: Yellow (RAL 1021) Option 4: Other ⁵
Thermal Relief Valve ⁶	Option 1: No Thermal Relief Valve Option 2: Thermal Relief Valve Included
Packaging	Option 1: Domestic Packaging Option 2: Export Crating

Ordering Notes:

1. Tanks will be marked as UL Listed and/or FM Approved based on the foam concentrate type specified. If foam concentrate type is not specified, the tank will not be marked as UL Listed or FM Approved.
2. Orders for CHEMGUARD 25 and 36 Gallon Pre-Piped Bladder Tanks will not be processed unless foam concentrate type is specified as this information is required to properly manufacture the proportioner.
3. For all other options categories, if an option is not specified, Option 1 will be used as the default.
4. UL Listing of paint systems is color-specific. The Red, Blue, and Yellow color shade options shown above are UL Listed. Contact TFPP Technical Services to determine if other color shades are UL Listed.
5. If "Other" is selected, the specific paint shade required must be supplied. Availability of the paint shade selected may impact lead time.
6. Set pressure is 175 psi (12.1 bar). Set pressure cannot exceed the design pressure of the tank per ASME code.

Expediting Service

CHEMGUARD 36 Gallon Bladder Tanks, including most of the configurations and standard options listed above, are available for optional expediting service. These tanks can be shipped in two to three weeks (depending on configuration selected) after order confirmation. Contact Tyco Fire Protection Products Technical Services or a CHEMGUARD Regional Sales Manager for additional information and limitations on this service.

Bladder Tank Ordering Part Numbers

Part Number	Model Description	Expediting Available
701019	25 Gallon Pre-Piped Bladder Tank - 2 in. Proportioner	-
701020	36 Gallon Pre-Piped Bladder Tank - 2 in. Proportioner	3 Weeks

Hydraulic Concentrate Control Valve Supervision

Per the requirements of FM 5130, CHEMGUARD Pre-Piped Bladder Tanks are only FM Approved when the included CHEMGUARD Hydraulic Concentrated Control Valve is used in conjunction with one of the following Supervision Retrofit Kits.

Description	For Use With	Ordering Part Number
Supervision Retrofit Kit (1 in. Valves)	2 in. and 2 1/2 in. Proportioners	443686
Supervision Retrofit Kit (1 1/4 in., 1 1/2 in., 2 in., and 2 1/2 in. Valves)	3 in., 4 in., 6 in., 8 in., and Wide Range Proportioners	445499

Touch Up Paint

Touch up paint for Red (RAL 3001) equipment is available in a convenient 7 ounce spray can. Touch up paint for other colors is not available in spray cans. Contact Tyco Fire Protection Products Technical Services for touch up paint in other colors.

Red (RAL 3001) Touch Up Paint – Part Number: 405581.

Custom Engineering

CHEMGUARD 25 and 36 Gallon Pre-Piped Bladder Tanks can be customized to accommodate a variety of special requirements, including but not limited to alternate materials of construction, higher design pressures, space constraints, and seismic rated tanks. Contact Tyco Fire Protection Products Technical Services or a CHEMGUARD Regional Sales Manager for additional information or to obtain a quote.

Flange Adapters

Tyco Fire Protection Products Figure 71 Flange Adapters are available to adapt the grooved fittings supplied with CHEMGUARD 25 and 36 Gallon Pre-Piped Bladder Tanks to flanged piping for field installation. The sizes listed below have a maximum pressure rating of 300 psi (20.7 bar). The flange adapter body is ductile iron and utilizes a Grade "E" EPDM gasket. Finished with Red (RAL 3000) non-lead paint.

Note: The converted values provided in this document are for nominal reference only and do not reflect an actual measurement.

CHEMGUARD and the product names listed in this material are marks and/or registered marks. Unauthorized use is strictly prohibited.

Adapter Size		Recommended Flange Mating Bolts				
Grooved in. (mm)	ANSI Flange (DIN)	Size Dia x L in.	Qty.	Bolt Torque Range lb-ft (N-m)	Approx. Weight lb (kg)	Ordering Part Number
2 (50)	2 (DN50)	5/8 x 3	4	110 – 140 (149 – 190)	3.0 (1.4)	7120TS
2 1/2 (65)	2 1/2 (DN65)	5/8 x 3	4	110 – 140 (149 – 190)	5.0 (2.3)	7125TS
3 (80)	3 (DN80)	5/8 x 3	4	110 – 140 (149 – 190)	5.6 (2.5)	7130TS
4 (100)	4 (DN100)	3/4 x 3 1/2	8	220 – 250 (298 – 339)	7.0 (3.2)	7140TS
6 (150)	6 (DN150)	3/4 x 3 1/2	8	220 – 250 (298 – 339)	10.0 (4.5)	7160TS
8 (200)	8 (DN200)	3/4 x 3 1/2	8	220 – 250 (298 – 339)	16.6 (7.5)	7180TS